

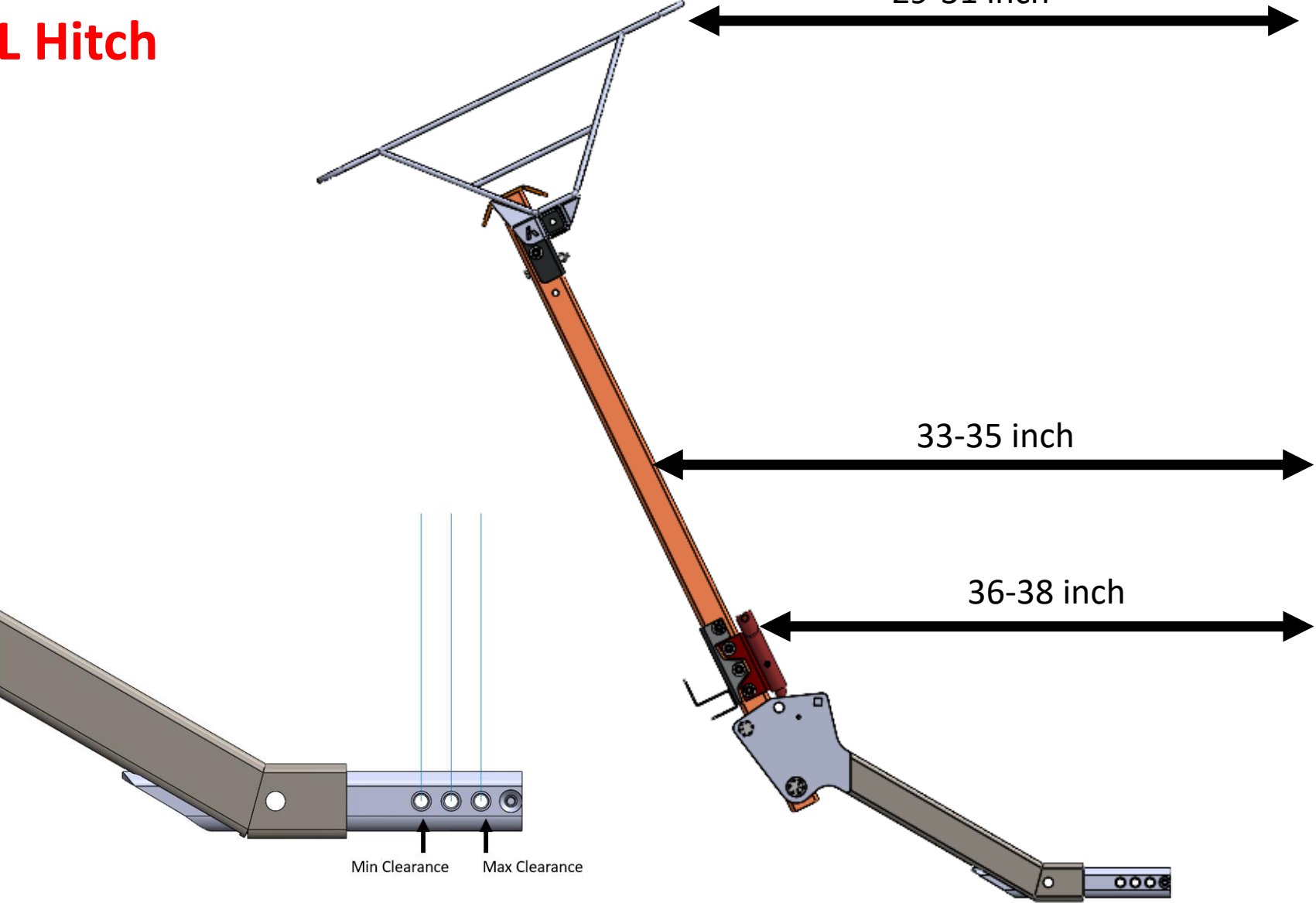
XL Hitch

29-31 inch

33-35 inch

36-38 inch

Min Clearance Max Clearance



XL Hitch With Kickout

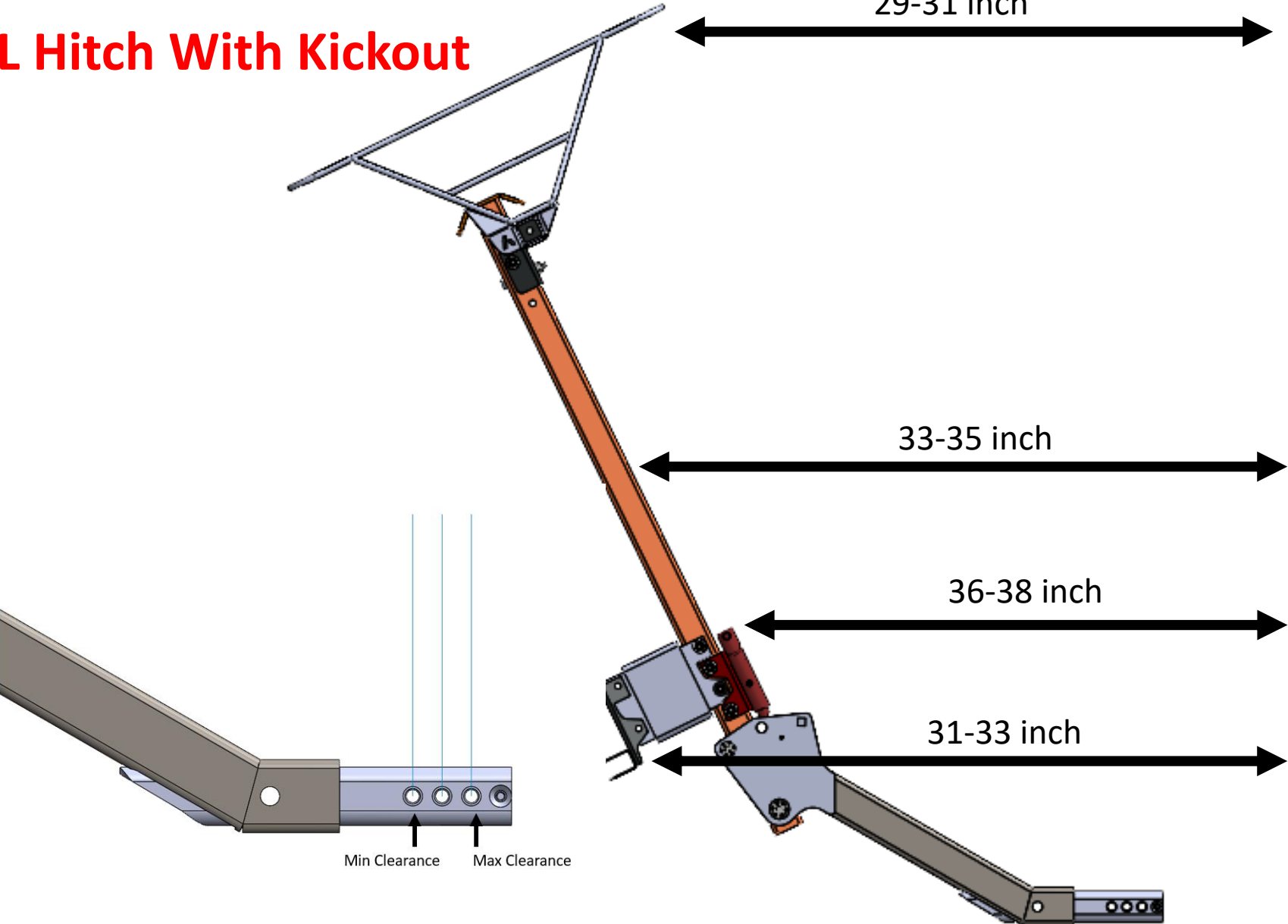
29-31 inch

33-35 inch

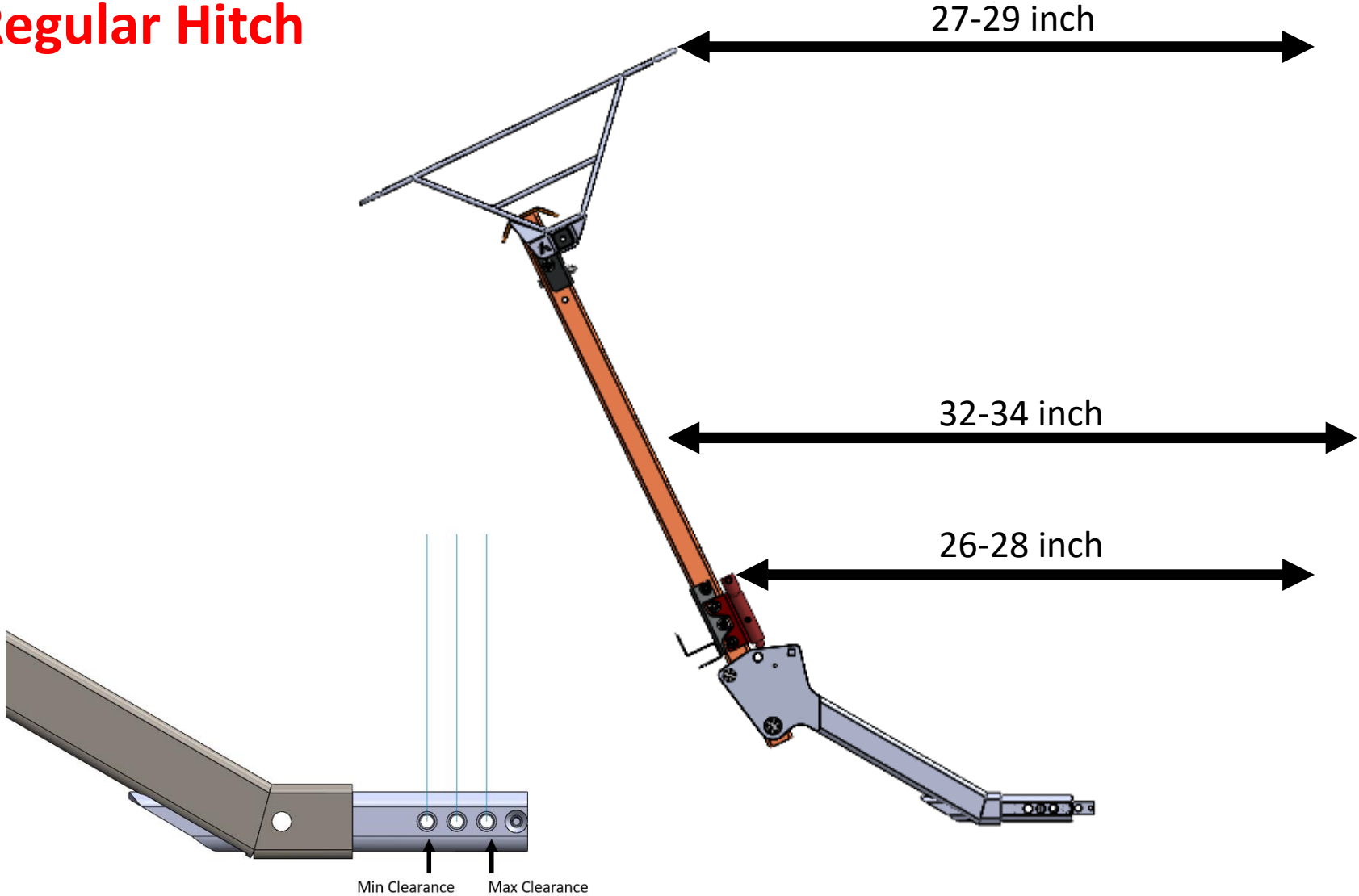
36-38 inch

31-33 inch

Min Clearance Max Clearance



Regular Hitch



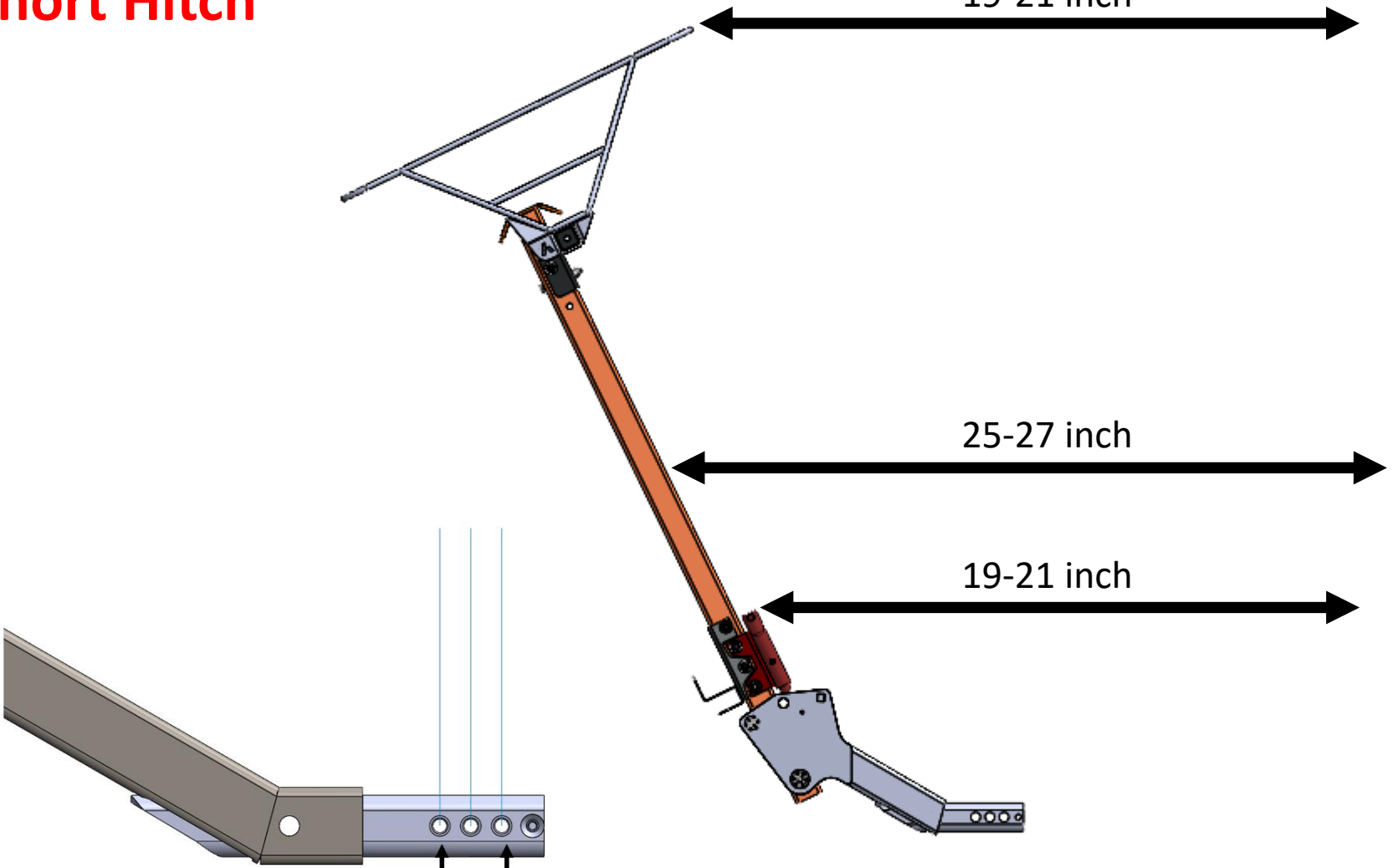
Short Hitch

19-21 inch

25-27 inch

19-21 inch

Min Clearance Max Clearance



Short Hitch With Kickout

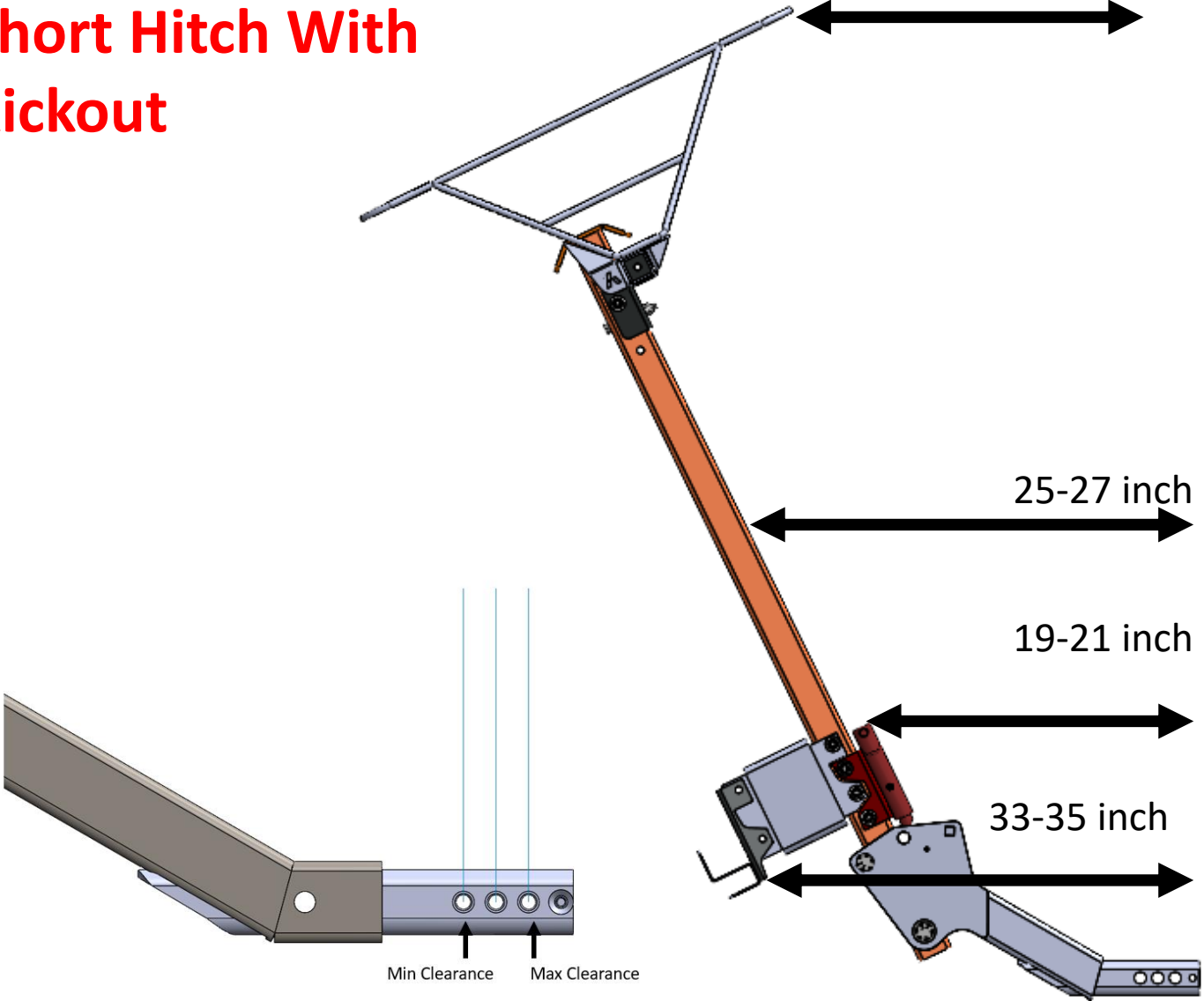
19-21 inch

25-27 inch

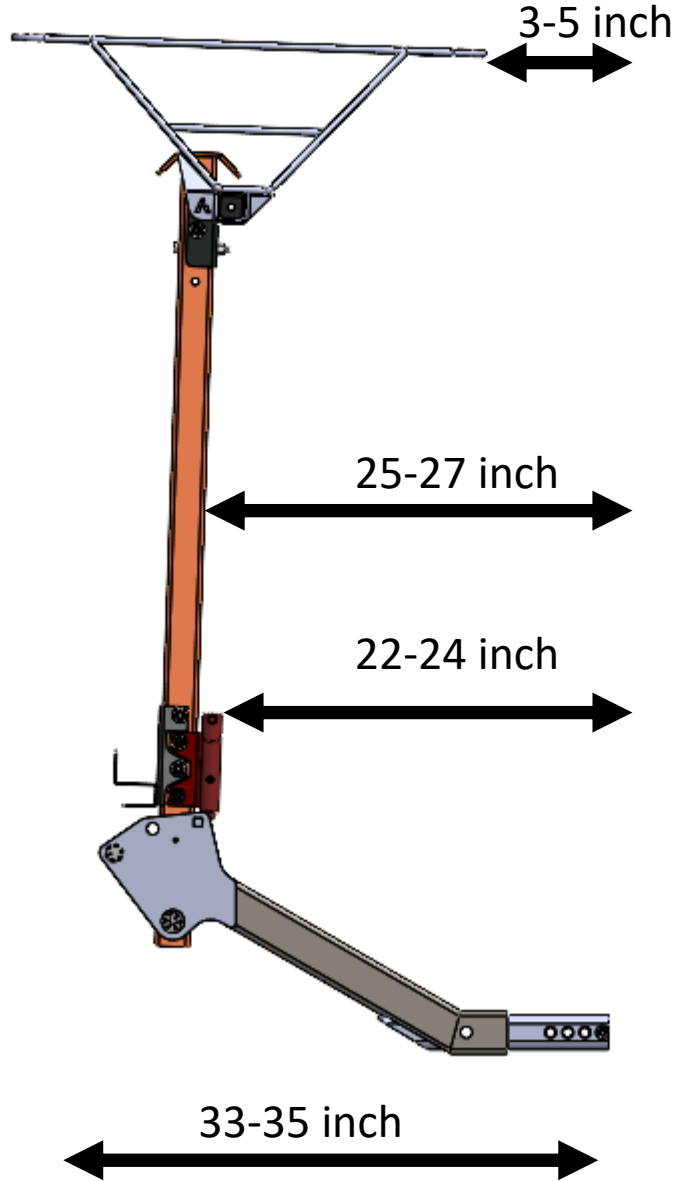
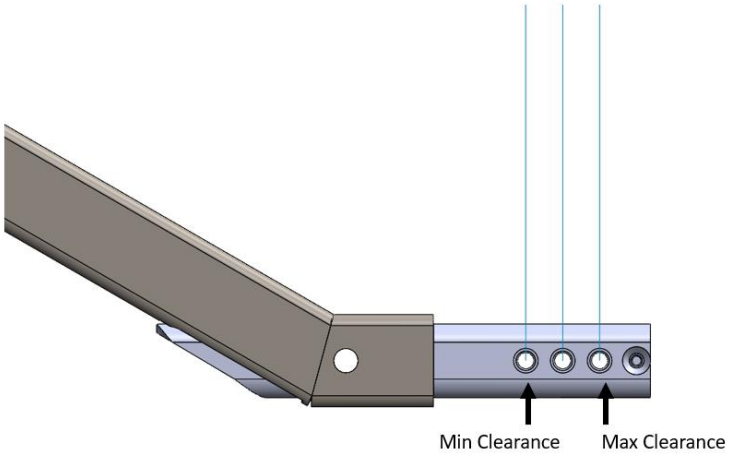
19-21 inch

33-35 inch

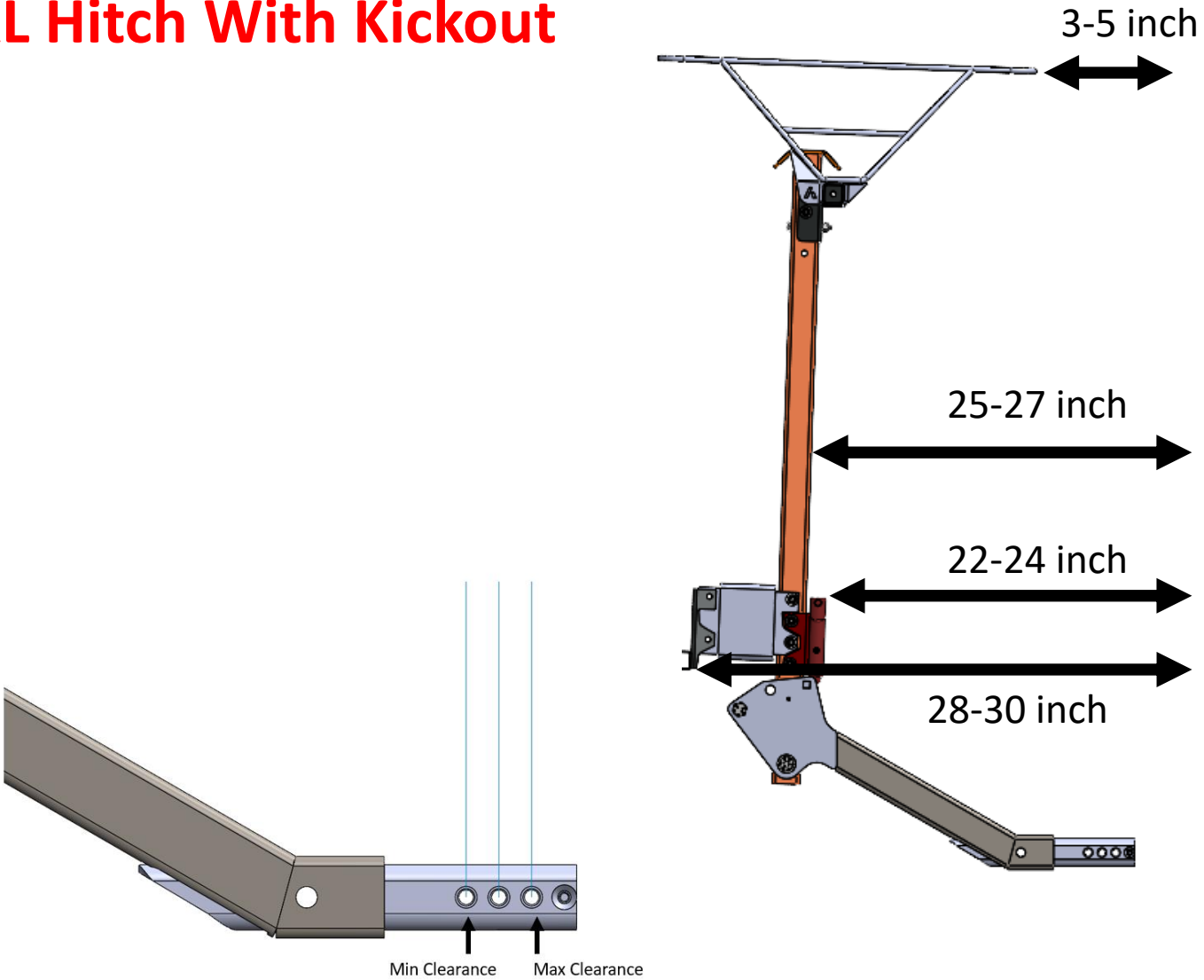
Min Clearance
Max Clearance



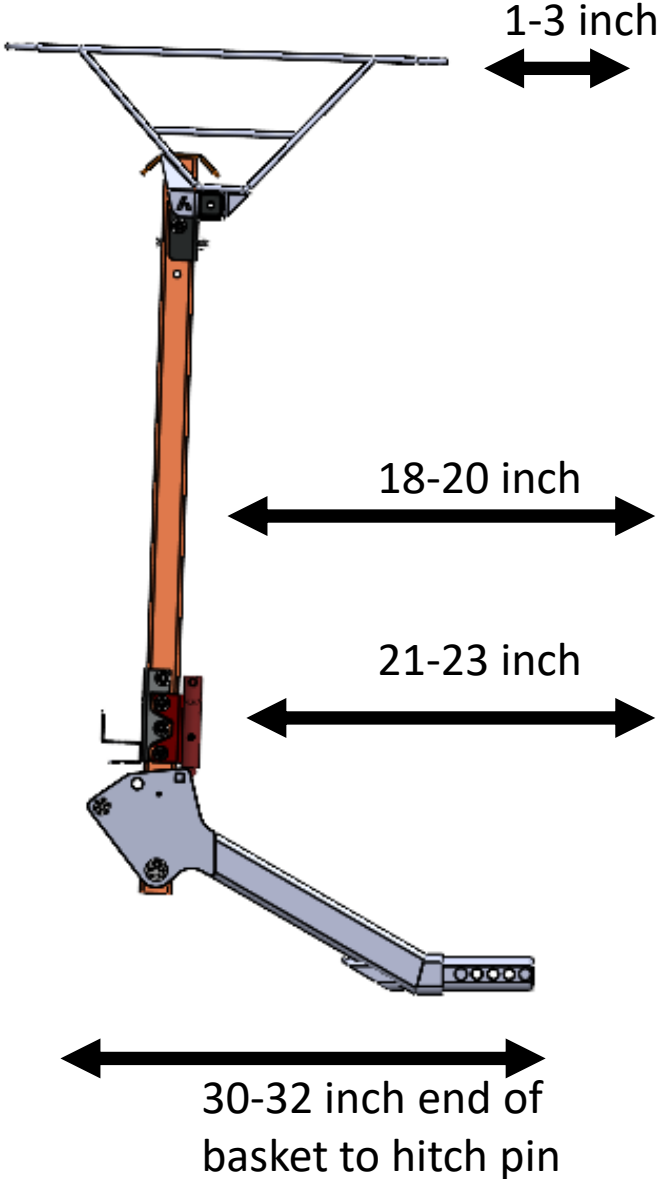
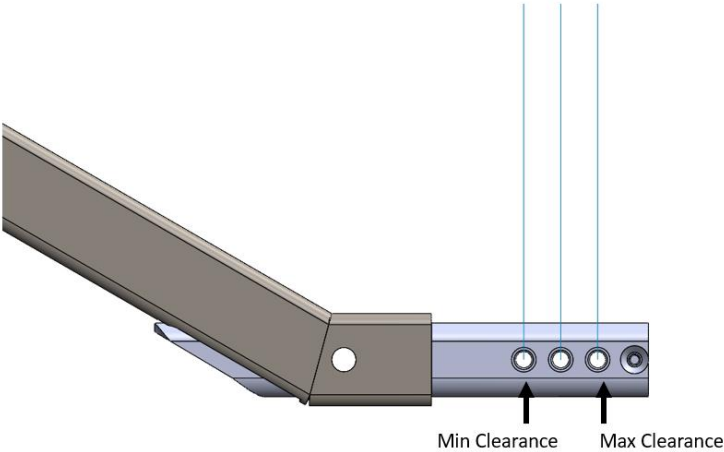
XL Hitch



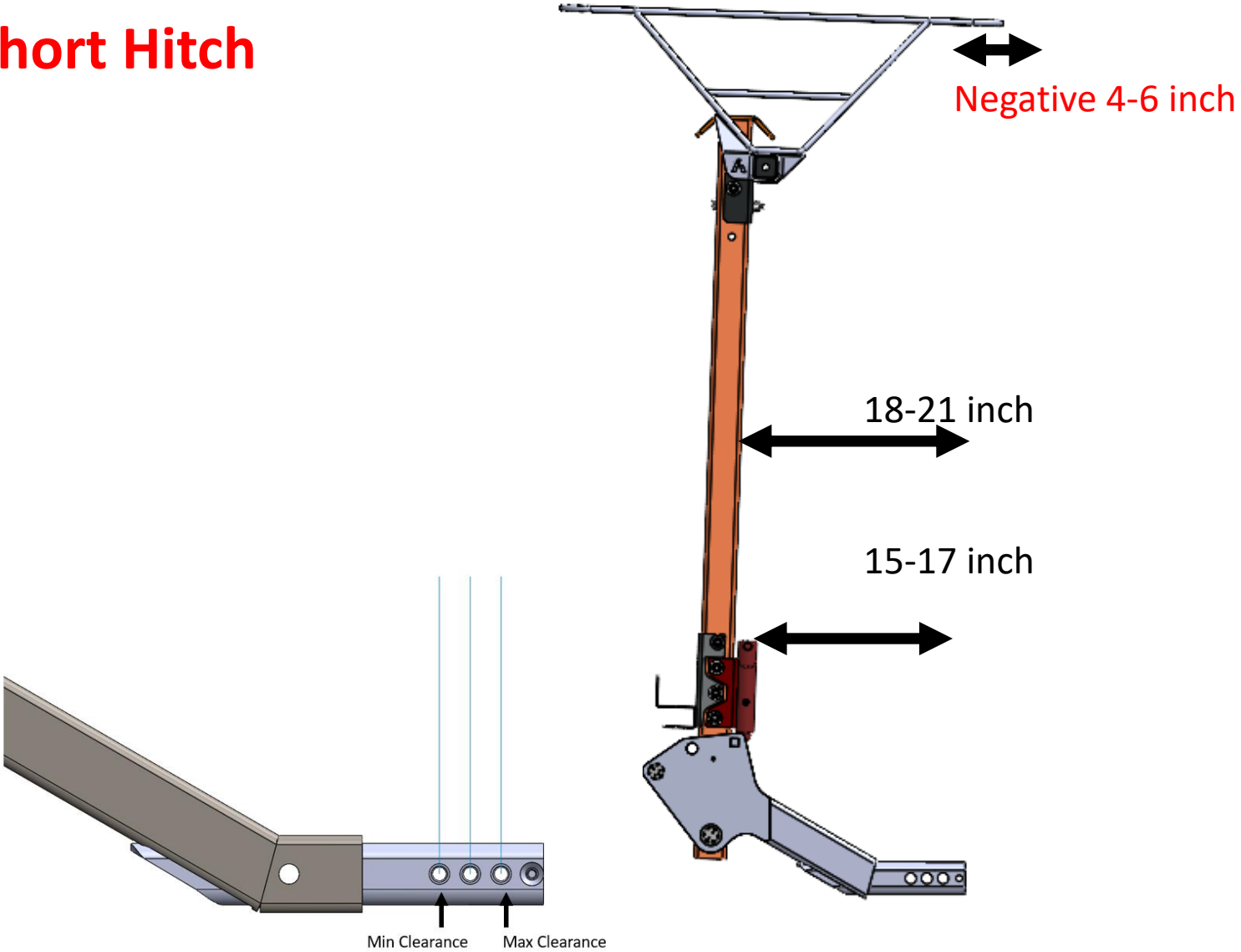
XL Hitch With Kickout



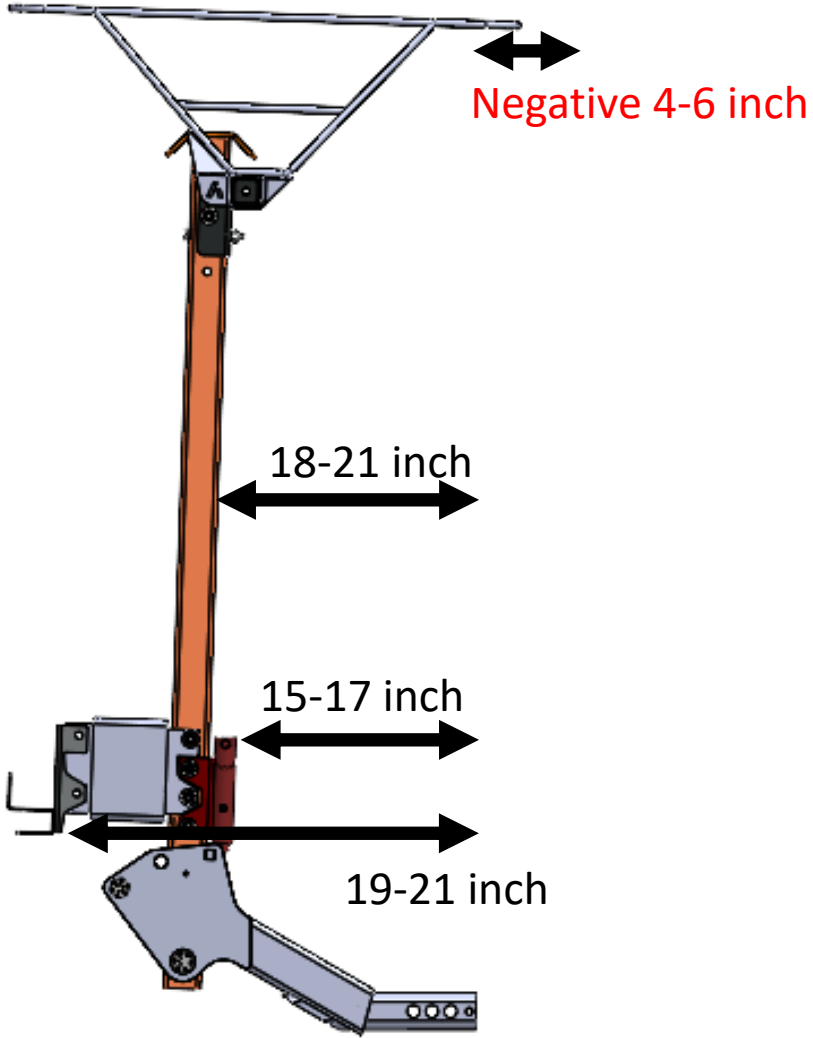
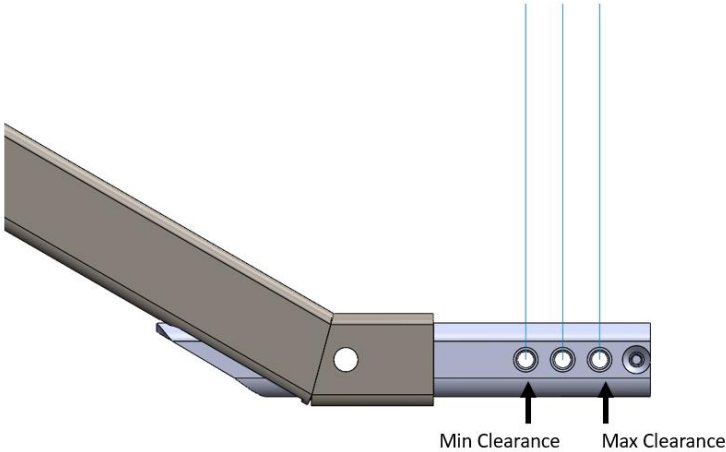
Regular Hitch



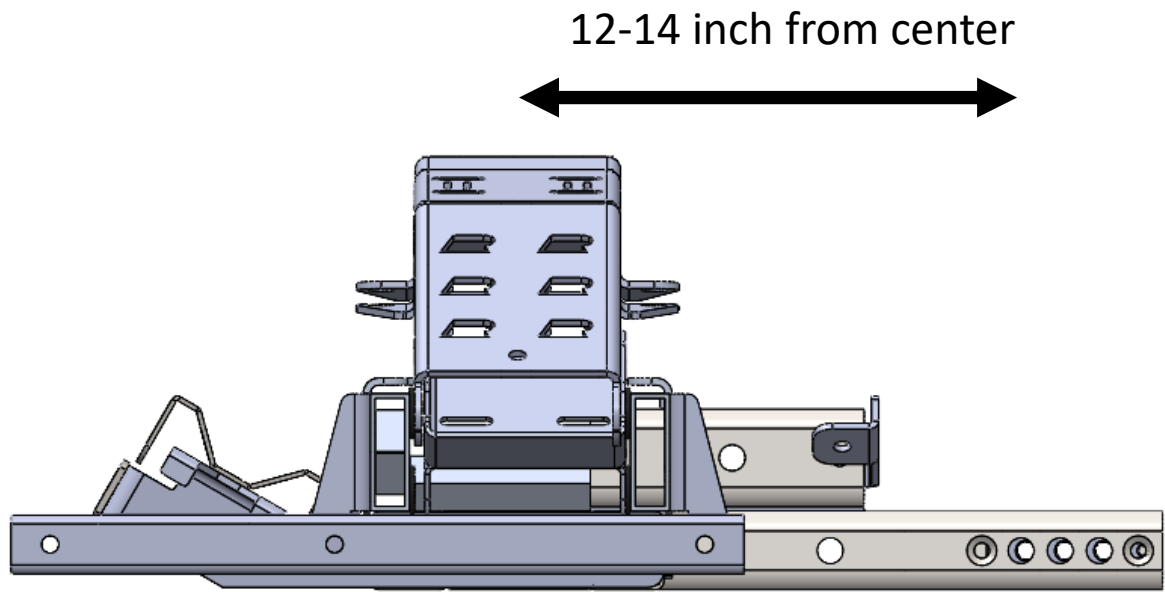
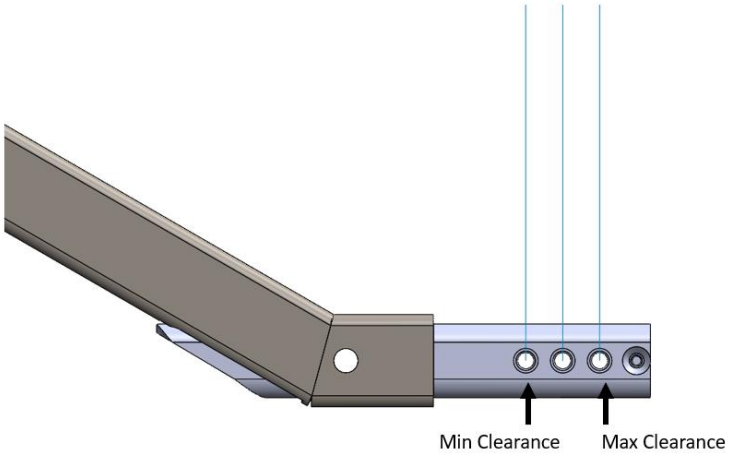
Short Hitch



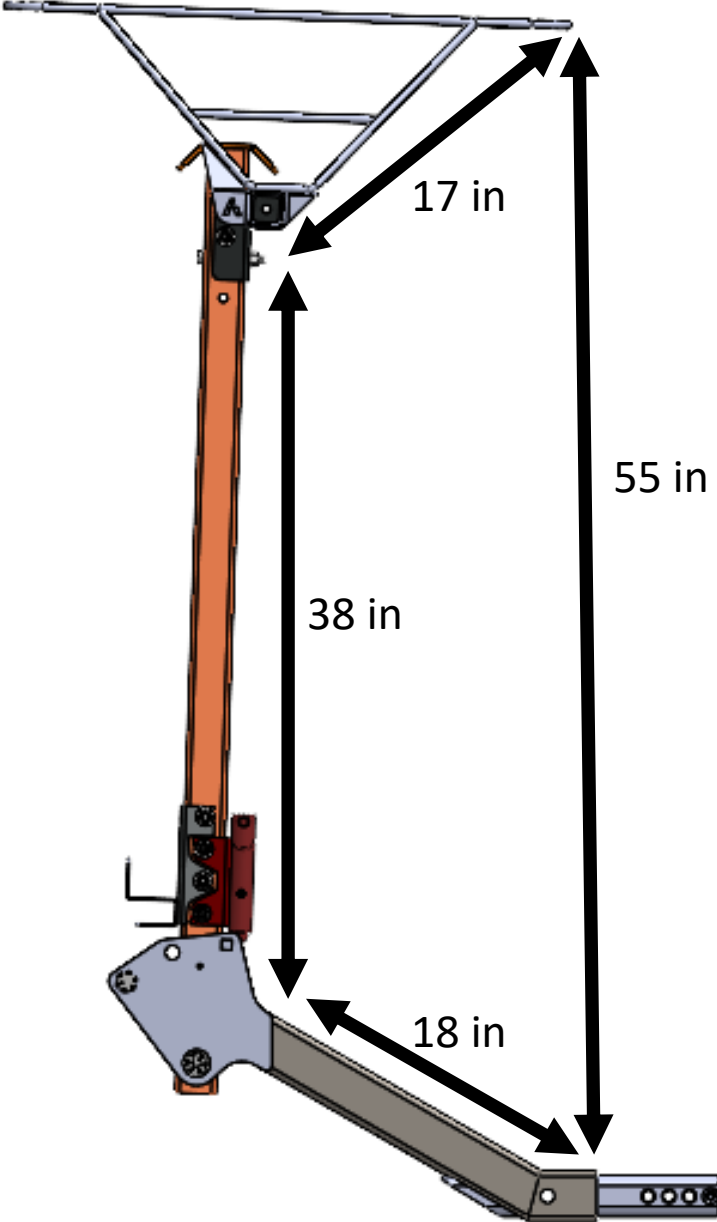
Short Hitch With Kickout



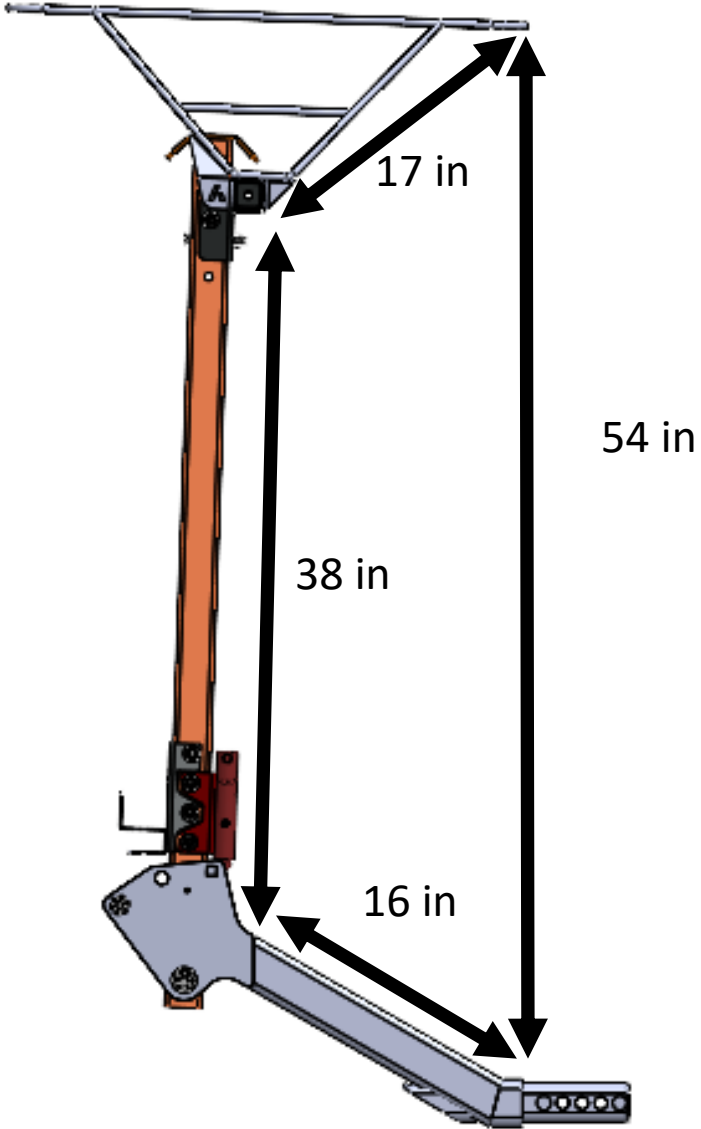
ARCYLON



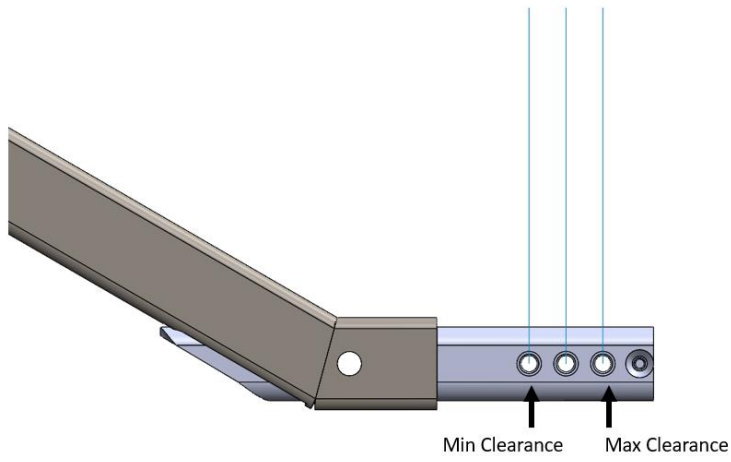
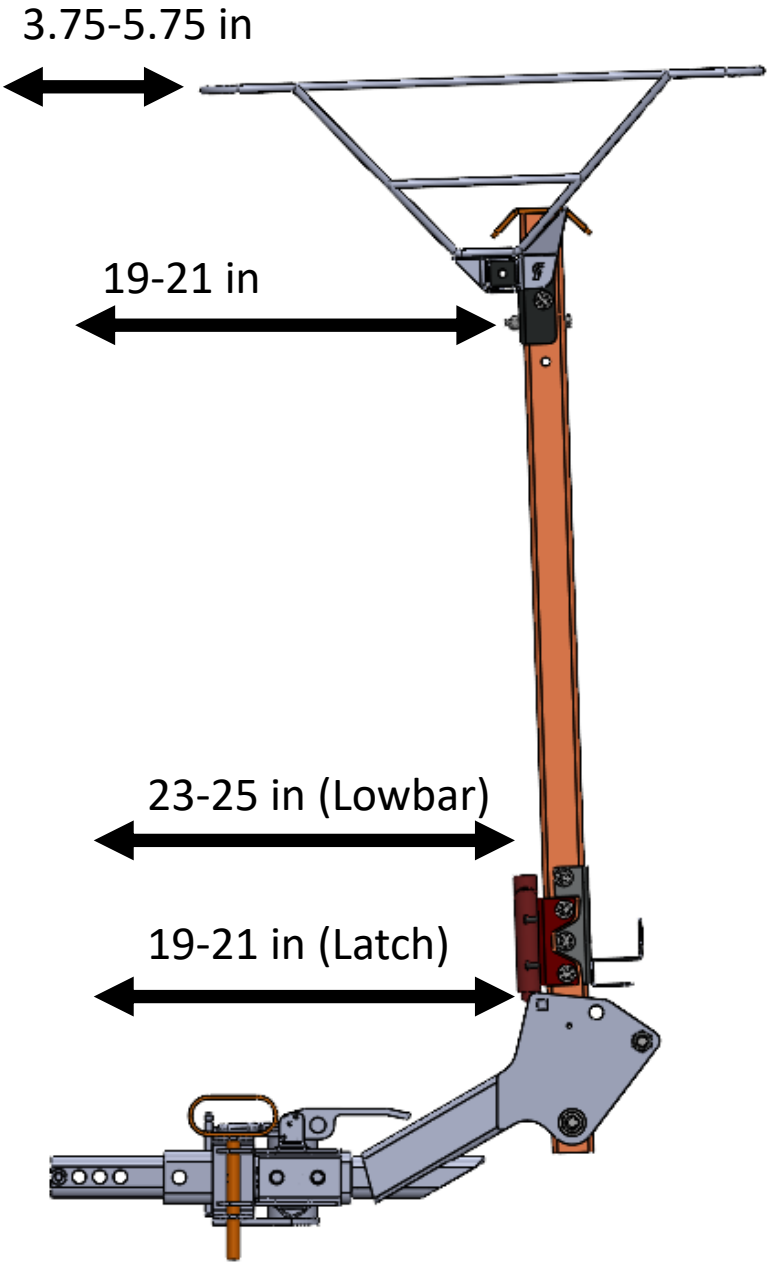
XL Hitch Cavity



Regular Hitch Cavity

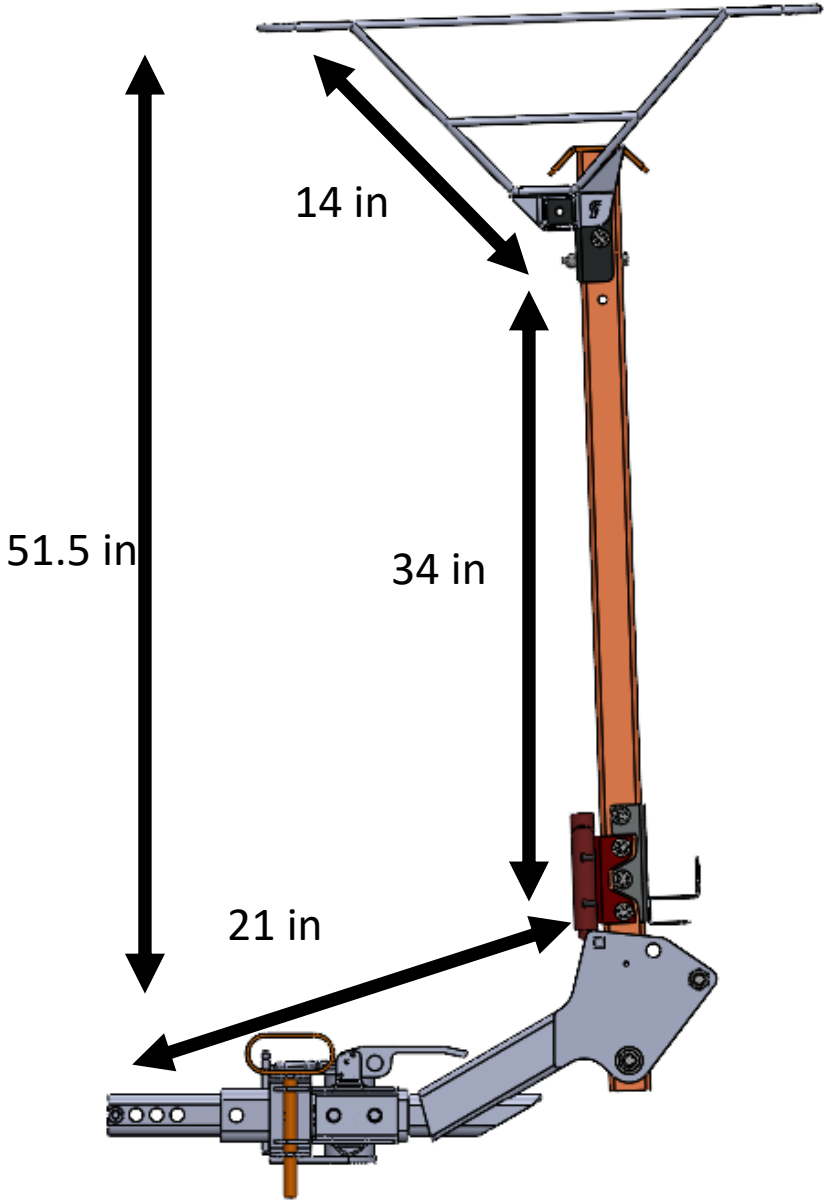


Swinger with Short Hitch (closed)



Swinger with Short Hitch (closed) Cavity

Measurements are from last hitch
bolt hole for maximum clearance



Swinger with Short Hitch (open)

Measurements are from the
middle of the hitch

